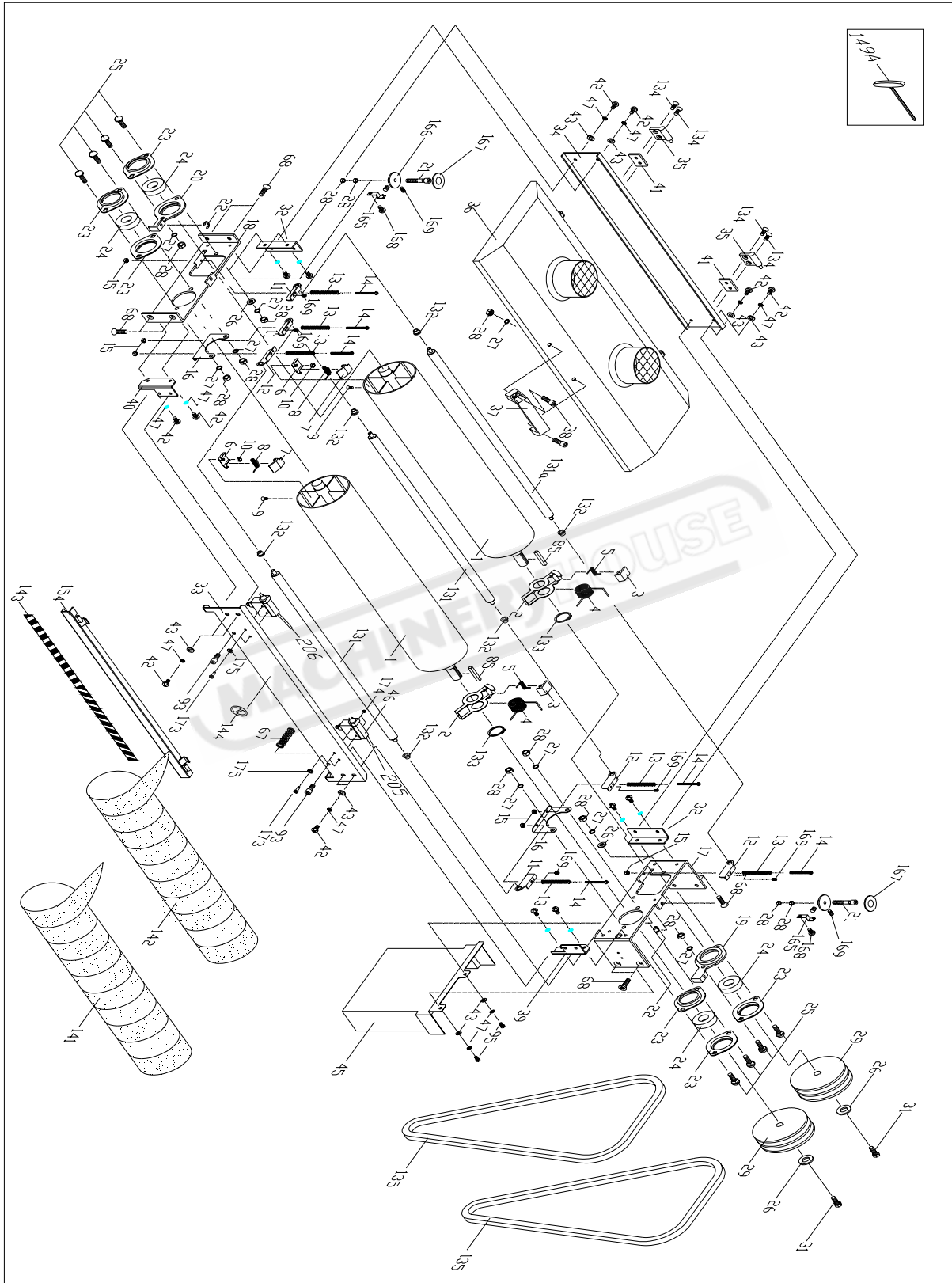


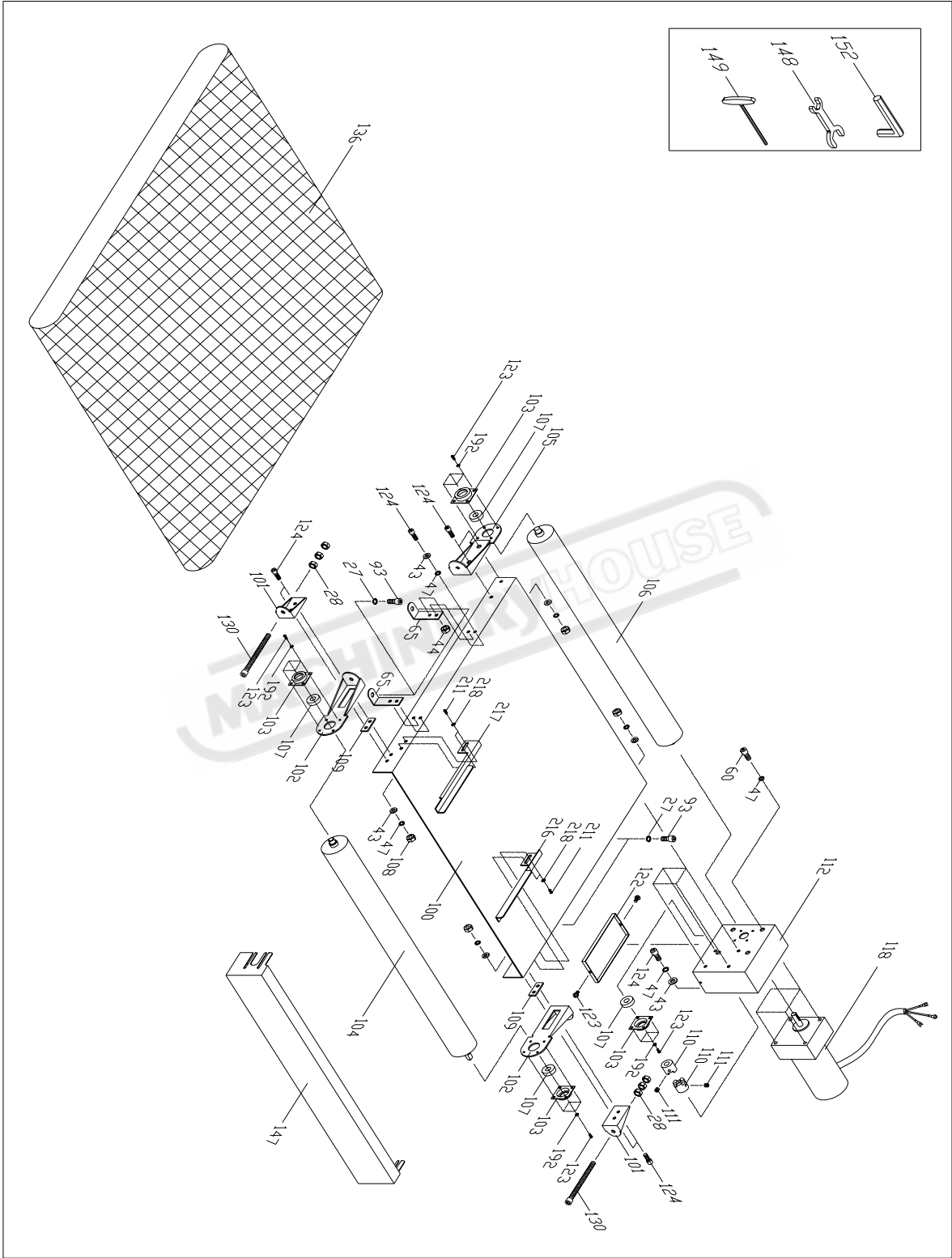
ASSEMBLY DIAGRAM

MODEL:DS-25



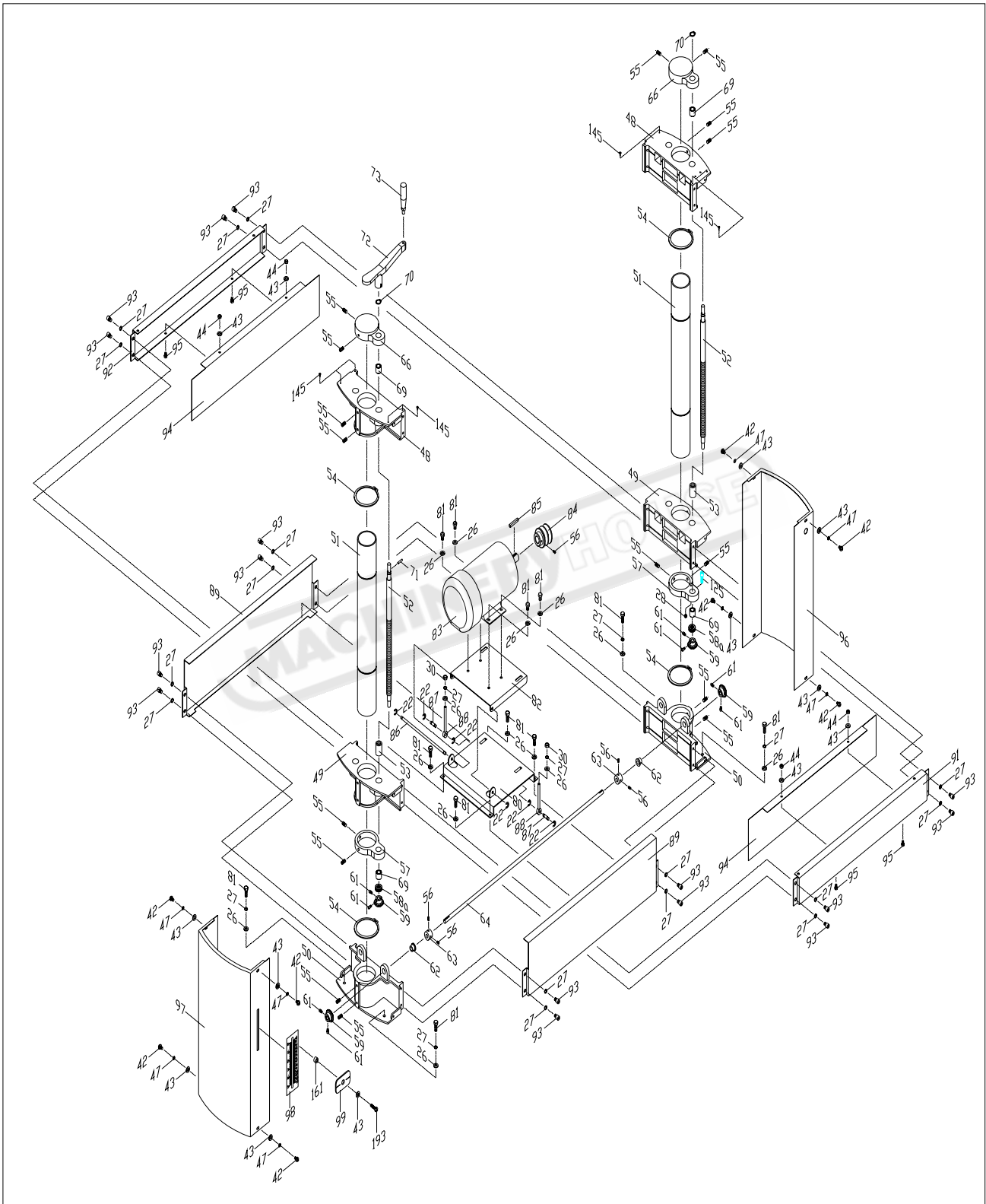
ASSEMBLY DIAGRAM

MODEL:DS-25



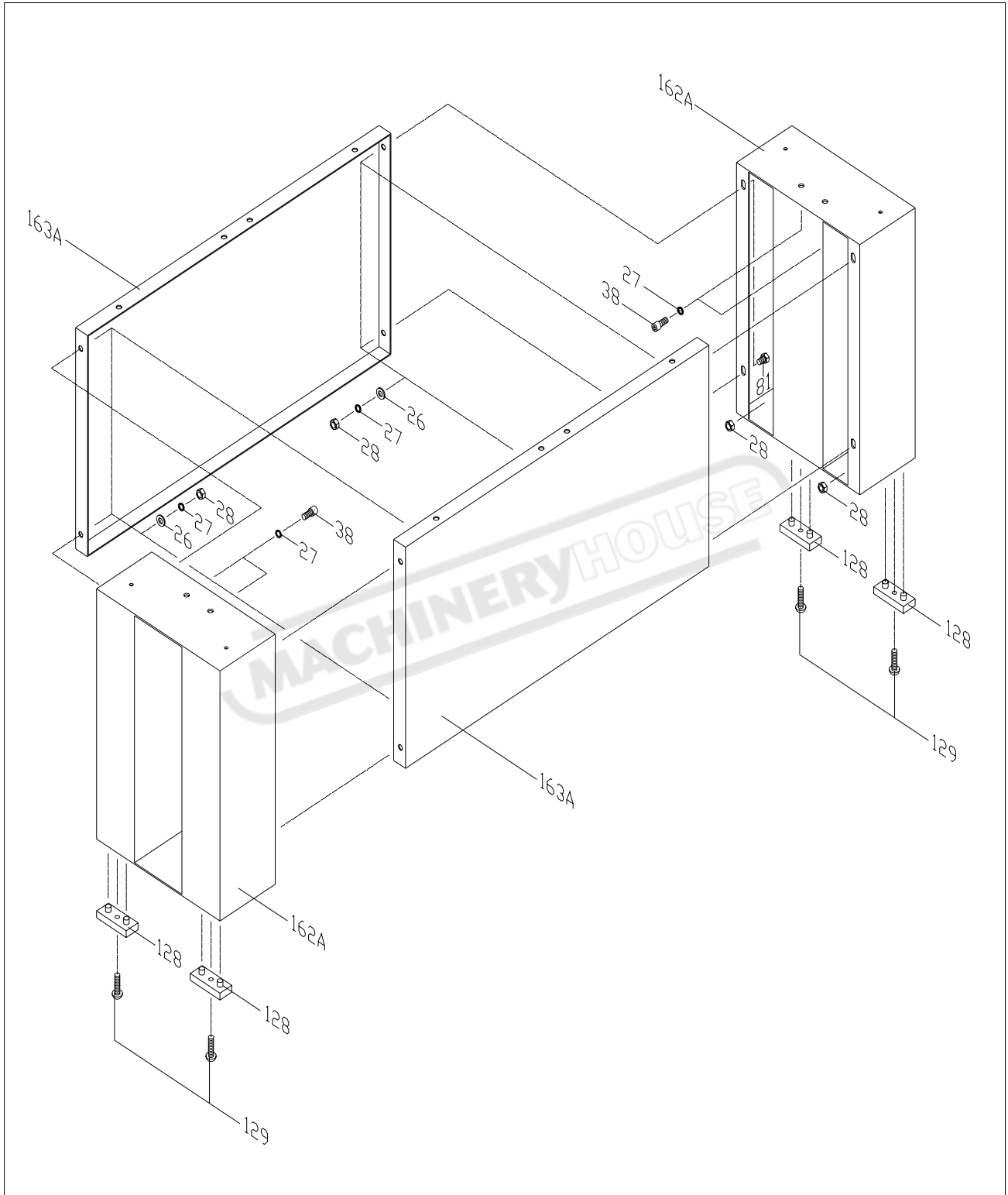
ASSEMBLY DIAGRAM

MODEL:DS-25



ASSEMBLY DIAGRAM

MODEL:DS-25



PART NO.	REFERENCE NO.	DESCRIPTION	QTY
1	20900001	DRUM	2
2	20703010	PULL CLAMP BRACKET	2
3	20703010B	PULL CLAMP	2
4	20703010A	SPRING	2
5	20703014A	SPRING	2
6	20703014	FIXED CLAMP BRACKET	2
7	20703014B	FIXED CLAMP	2
8	20703014C	SPRING	2
9	S0040300	FLAT CROSS HEAD SCREW	2
10	S0110300	NUT	7
11	20900086	RIGHT CLAMP	3
12	20900087	LEFT CLAMP	3
13	20900069	MICROMETRIC ADJUSTMENT SPRING	6
14	S0030580M	CROSS ROUND HEAD SCREW	6
15	S0120500M	NYLON NUT	6
16	20900002	CLAMP BLOCK	2
17	20900003	RIGHT BEARING HOUSING	1
18	20900004	LEFT BEARING HOUSING	1
19	20900005	RIGHT MICROMETRIC ADJUSTMENT BEARING CAP	1
20	20900006	LEFT MICROMETRIC ADJUSTMENT BEARING CAP	1
21	S0020530A	HEX SOCKET HEAD SCREW	2
22	S05ETW06	E RING	8
23	20703002	BEARING CAP	6
24	C1206205	BEARING	4
25	S0060510	WING SCREW	8
26	S0210500c	FLAT WASHER	24
27	S0230506	SPRING WASHER	48
28	S0110500	NUT	35
29	20900008	DRIVEN ROLLER	2
30	S0210532	FLAT WASHER	2
31	S0020512L	HEX HEAD SCREW	2
32	20900009	ANGLE PLATE	2
33	20900010E	STOPPER	1
34	20900011L	DUST HOOD FIX PLATE	1
35	20702019	COVER HINGE	2
36	20900012E	DUST GUARD	1
37	20703016	DUST WOOD HANDLE	1
38	S0010502	HEX SOCKET HEAD SCREW	6
39	20900009a	UPPER BUCKLE	1
40	20900009b	LOWER BUCKLE	1
41	20900068	PAD	2

PART NO.	REFERENCE NO.	DESCRIPTION	QTY
42	S0030405	CROSS ROUND HEAD SCREW	24
43	S0210401	FLAT WASHER	41
44	S0110400	NUT	16
45	20900013	PULLEY GUARD	1
46	WLAZ7110	LIMITED SWITCH	2
47	S0230400	SPRING WASHER	66
48	20900014	UPPER BRACKET	2
49	20900015	SLIDE	2
50	20900016	LOWER BRACKET	2
51	20900017	POST	2
52	20900018	SCREW	2
53	20900019	SCREW BUSHING	2
54	S0520080	RING	4
55	S0050500	SET SCREW	16
56	S0050406	SET SCREW	5
57	20900020	SCREW HOLDER	2
58a	C5151102	BEARING #5102	2
59	20900022	BEVEL GEAR	4
60	S0010616M	HEX SOCKET HEAD SCREW	4
61	S0050306n	SET SCREW	8
62	20900023	GEAR SHAFT BUSHING	2
63	20900024	POSITION COLLAR	2
64	20900025	GEAR TRANSMISSION SHAFT	1
65	20900067	STAND	4
66	20900026	POST COVER	2
67	10102021	SPRING	2
68	S0040307	FLAT CROSS HEAD SCREW	8
69	20900028	BRONZE COLLAR COVER	4
70	S0520015	RING	2
71	S0310420	PIN	1
72	20900029	HANDLE	1
73	10105056a	HANDLE KNOB	1
74	20900030E	SWITCH MOUNTING PLATE	1
75	W0000000	MAGNETIC SWITCH	1
76	S0030318	ROUND CROSS HEAD SCREW	4
77	S0040308	FLAT HEAD SCREW	3
78	10401008	WIRE BUSHING	1
79	20900066E	SWITCH REAR GUARD	1
80	20900031	MOTOR BASE	1
81	S0020501	HEX HEAD SCREW	20
82	20900032	MOTOR ADJUSTMENT PLATE	1

PART NO.	REFERENCE NO.	DESCRIPTION	QTY
83	M0000000	MOTOR	1
84	20900033	DRIVE PULLEY	1
85	S0430640	KEY	3
86	20900034	BASE SHAFT	1
87	20900035	POSITIONING SHAFT	2
88	20900036	SCREW	2
89	20900037	COVER	2
91	20900039	FRONT TABLE SUPPORT	1
92	20900040	REAR TABLE SUPPORT	1
93	S0010500	HEX SOCKET HEAD SCREW	22
94	20900041	SHIELD PLATE	2
95	S0020408	HEX HEAD SCREW	8
96	20900042	RIGHT COVER	1
97	20900043	LEFT COVER	1
98	20900044	GRADUATED SCALE	1
99	20900045	INDICATOR	1
100	20900046	SANDING BELT PLATEN	1
101	20900047	MICROMETRIC ADJUSTMENT BLOCK	2
102	20900048	MICROMETRIC ADJUSTMENT FIX BLOCK	2
103	20900049	BEARING COVER	4
104	20900050	SANDING BELT DRUM	1
105	20900051	POSITIONING PLATE	1
106	20900052	TRANSMISSION ROLLER	1
107	C1106202A	BEARING	4
108	S0120200	NYLON NUT	10
109	20900053	PAD	2
110	20900054	SHAFT JOINT FIX SCREW	2
111	S0050404a	FIX SCREW	2
112	20900055	ELECTRIC CONTROL BOX	1
113	20701011	ELECTRICAL INSULATION BOARD	1
114	S0040510M	FLAT CROSS HEAD SCREW	2
115	W0000001	SAFETY SWITCH	1
116	S100PG11	PLASTIC CLAMP	1
117	S100PG13	PLASTIC CLAMP	3
118	M2090002	SPEED REDUCING MOTOR	1
119	20900073	PC BOARD	1
120	40501019	REGULATOR KNOB	1
121	40501018	PC BOARD FIX PLATE	1
122	20900056	ELECTRICAL CONTROL BOX BOTTOM COVER	1
123	S0030304	ROUND CROSS HEAD SCREW	18
124	S0010620M	HEX SOCKET HEAD SCREW	22

PART NO.	REFERENCE NO.	DESCRIPTION	QTY
125	S0010505	HEX SOCKET HEAD SCREW	1
128	10401029	PAD	4
129	S0090512	ROUND HEAD SCREW	4
130	S0010503a	HEX SOCKET HEAD SCREW	2
131	20900060	PRESSURE ROLLER	2
131a	20900060a	PRESSURE ROLLER	1
132	20701006	BEARING	6
133	S0520028	RING	2
134	S0040410	FLAT CROSS HEAD SCREW	4
135	V0017500	V-BELT	2
136	20900061	CONVEYOR BELT	1
137	L000000M	MOTOR WIRE	1
138	L0000000	POWER WIRE	1
139	LC161151B	SWITCH WIRE	3
140	LC161101B	WIRE WITH TERMINALS	1
140a	LV101151G	GROUND WIRE	2
141	20900062	SANDING BELT	1
142	20900063	SANDING BELT	1
143	J2090001	WARNING LABEL	1
144	J2090002	WARNING LABEL	1
145	10101002	BUFFER	4
147	20900064	COVER HINGE	1
148	S0911214	OPEN END WRENCH	1
149	S1206150	T HANDLE ALLEN WRENCH	1
149A	S1202100	T HANDLE ALLEN WRENCH	1
150	I2090003	MANUEL	1
151	J2090004	SPEED LABEL	1
152	S0910103	WRENCH	1
153	H2090001	WOODEN CASE	1
154	20900010a	FEEDING PLATE	1
155	S100PG09	PLASTIC CLAMP	4
156	WL001122	LIMITED SWITCH	1
157	S0010435M	HEX SOCKET HEAD SCREW	2
161	20900081	RING	1
162A	20900057	STAND	2
163A	20900058	PLATE	2
165	20900100	SCALE POINTER	2
166	20900101	ADJUSTING COLLAR	2
167	J2090012	SCALE POINTER	2
168	S0030305	ROUND HEAD SCREW	6
169	S0050103	SET SCREW	4

PART NO.	REFERENCE NO.	DESCRIPTION	QTY
170	S0050306n	SET SCREW	6
173	S0010430M	HEX SOCKET HEAD SCREW	4
174	S0110400M	NUT	4
175	S0210300	FLAT WASHER	6
176	22300047	TERMINAL	1
177	WE000002	FIX PLATE	2
178	WE000001	TERMINAL	4
179	WF000002	FUSE TERMINAL	1
180	WG000004	CONNECT PLATE	2
192	S0230500M	SPRING WASHER	16
193	S0030310	ROUND HEAD SCREW	9
204	LV1020402	ELECTRIC WIRE	1
205	LV1020503	ELECTRIC WIRE	1
206	LV1026501	ELECTRIC WIRE	1
210	20900098	WAVE FILTER	1
211	S0030512M	ROUND HEAD SCREW	5
212	S0110500M	NUT	1
213	21500060	FIX PLATE	1
214	S0230401	SPRING WASHER	4
215	S0010412M	HEX SOCKET HEAD SCREW	2
216	20900110A	RIGHT FEEDING TABLE PLATE	1
217	20900111A	LEFT FEEDING TABLE PLATE	1
218	S0210303	FLAT WASHER	4
219	S1042501	TUBE	1
220	S107P026	WIRE PROTECT COVER	4
221	LC161101B	WIRE WITH TERMINALS	1